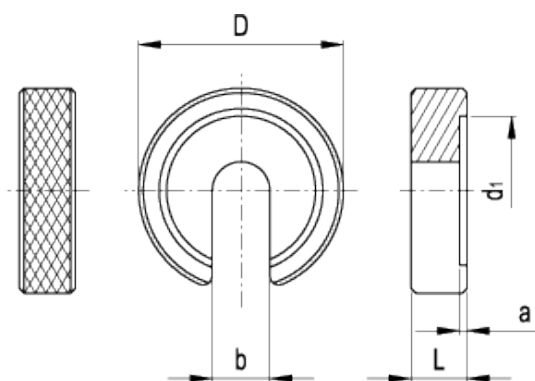


GN 183

C-shaped washers



technical informations

Material

Case-hardened and black-oxide steel.

Features

GN 183 C-shaped washers are suitable for assembly on parts to be machined without removing the nut from the screw.

Standard Elements	Main dimensions					For threadings	Weight
	D	b	L	d ₁	a		g
GN 183-22-6.2	22	6.2	6	16	0.8	M6	13
GN 183-28-6.2	28	6.2	6	16	1	M6	21
GN 183-28-8.3	28	8.3	7	21	1	M8	23
GN 183-34-8.3	34	8.3	7	21	1.2	M8	35
GN 183-34-10.4	34	10.4	8	25	1.2	M10	38
GN 183-40-10.4	40	10.4	8	30	1.8	M10	53
GN 183-40-12.5	40	12.5	9	30	1.8	M12	57
GN 183-56-12.5	56	12.5	9	37	1.8	M12	126



ELESA and GANTER models all rights reserved in accordance with the law. Always mention the source when reproducing our drawings.

STANDARD MACHINE ELEMENTS WORLDWIDE